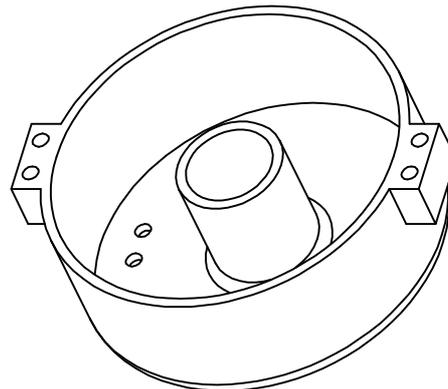
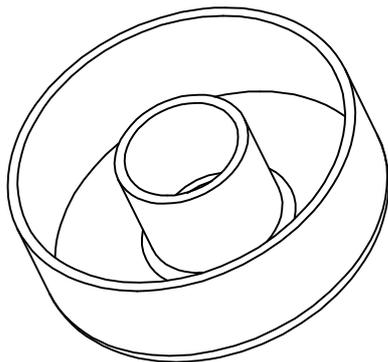
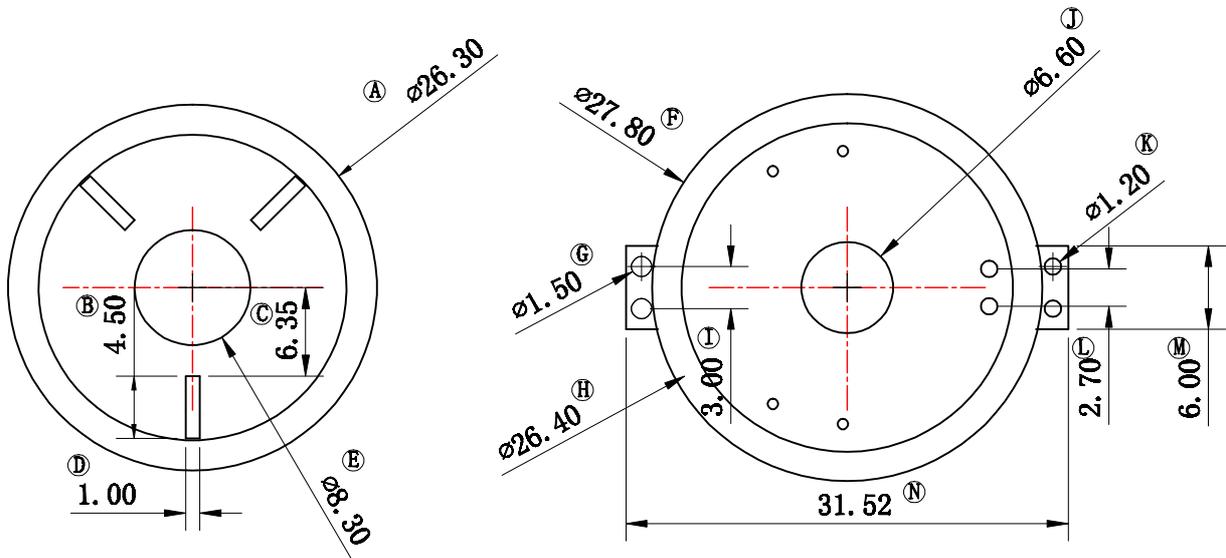
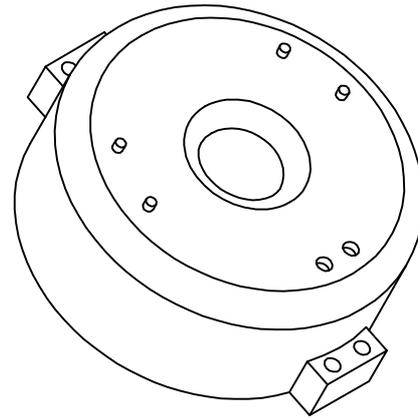
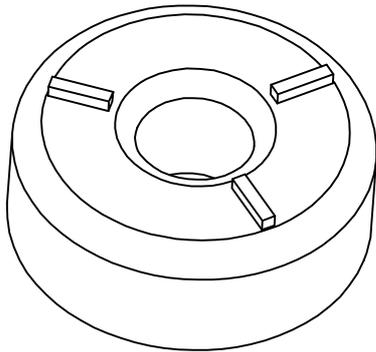


FWBCS01-J



REV	REVISION RECORD	DATE	REV	REVISION RECORD	DATE
A			C		
B			D		
NAME	COVER $\text{ø}22$	MATERIAL	PBT	SCALE	ANGLE $\pm 1^\circ$
DRAWING NO.	FWBCS01-J	PIN MATERIAL	CP WIRE	UNIT	m/m
TOLERANCE OF PIN PITCH ± 0.20			HAINING FERRIWO ELECTRONICS CO.,LTD.		
PIN TENSION LOAD kg MIN		UL REC: 94V-0	TEL: +86-573-87088701 FAX: +86-573-87081130		
TOLERANCE: $0 < L \leq 4: \pm 0.2$ $4 < L \leq 16: \pm 0.3$ $16 < L \leq 63: \pm 0.4$			Web: www.ferriwo.com Email: sales@ferriwo.com		